



MERIDA UNIQUE JOY LINE

our recommendation: **UNIQUE SPARK high gloss**

MERIDA UNIQUE SPARK high gloss - symbol DUH251 MERIDA UNIQUE matt - symbol DUH201



FOAM SOAP DISPENSER

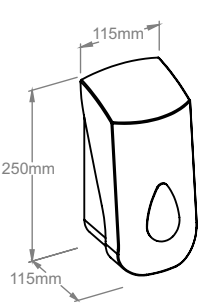
Device available in two versions:
 MERIDA UNIQUE SPARK high gloss - symbol DUH251
 MERIDA UNIQUE matt - symbol DUH201

- Made of high quality ABS plastic
- soap dispensed as delicate foam
- capacity of disposable (completely recycled) cartridge with foaming pump - 700 g
- highly efficient - ca 2000 shots of foam from one cartridge
- complete air-tightness of pouch prevents contamination of contents
- saves water consumption and reduces sewage amount
- shortens hand washing time

Suitable to use with the following foam soaps:

- MERIDA BALI SENSITIVE WOMAN (symbol MTP201)
- MERIDA BALI SENSITIVE MAN (symbol MTP202)
- MERIDA BALI PLUS almond-cherry fragrance (symbol MTP203)
- MERIDA BALI PLUS banana fragrance (symbol M12P)
- MERIDA BALI LUX (symbol M13P)
- MERIDA BALI LUX scentless (symbol M13XP)
- MERIDA BALI disinfecting (symbol M14P)

[CLICK FOR MOVIE](#)
[BIM OBJECTS for ARCHITECTS](#)



MERIDA UNIQUE SPARK high gloss - symbol DUH551 MERIDA UNIQUE matt - symbol DUH501



TOUCH-FREE FOAM SOAP DISPENSER

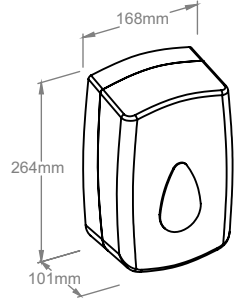
Device available in two versions:
 MERIDA UNIQUE SPARK high gloss - symbol DUH551
 MERIDA UNIQUE matt - symbol DUH501

- Made of high quality ABS plastic.
- soap dispensed as delicate foam
- capacity of disposable (completely recycled) cartridge with foaming pump - 700 g
- highly efficient - ca 2000 shots of foam from one cartridge
- complete air-tightness of pouch prevents contamination of contents
- saves water consumption and reduces sewage amount
- shortens hand washing time
- sensor activated touch free mechanism ensures the highest level of hand hygiene
- powered by 4 batteries R14
- LED indicator of dispenser status (green - ready to work, orange - cover not closed, red - replace the batteries)

Suitable to use with the following foam soaps:

- MERIDA BALI SENSITIVE WOMAN (symbol MTP201)
- MERIDA BALI SENSITIVE MAN (symbol MTP202)
- MERIDA BALI PLUS almond-cherry fragrance (symbol MTP203)
- MERIDA BALI PLUS banana fragrance (symbol M12P)
- MERIDA BALI LUX (symbol M13P)
- MERIDA BALI LUX scentless (symbol M13XP)
- MERIDA BALI disinfecting (symbol M14P)

[CLICK FOR MOVIE](#)
[BIM OBJECTS for ARCHITECTS](#)



MERIDA UNIQUE SPARK high gloss - symbol CUH351 MERIDA UNIQUE matt - symbol CUH301



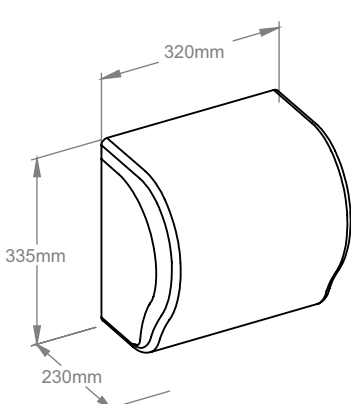
MECHANICAL DISPENSER FOR PAPER TOWEL ROLLS

MERIDA UNIQUE LUX CUT

Device available in two versions:
 MERIDA UNIQUE SPARK high gloss - symbol CUH351
 MERIDA UNIQUE matt - symbol CUH301

The exclusive look and unique patented "straight cut" system make the dispenser exceptional. Innovative cutting mechanisms with four opposing knives ensure that each cut-off towel has four straight edges. Thanks to its compact construction, the dispenser remains small while holding a 250 meter long towel roll. When cut every 25 cm, one roll produces 1000 towel sheets!! The device is made of high quality ABS plastic, with transparent sides and back to provide easy control of refill levels at all times.

[CLICK FOR MOVIE](#)
[BIM OBJECTS for ARCHITECTS](#)



MERIDA UNIQUE SPARK high gloss - symbol CUH352 MERIDA UNIQUE matt - symbol CUH302



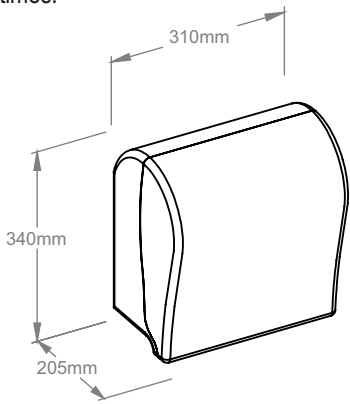
MECHANICAL DISPENSER FOR PAPER TOWEL ROLLS

MERIDA UNIQUE SOLID CUT

Device available in two versions:
 MERIDA UNIQUE SPARK high gloss - symbol CUH352
 MERIDA UNIQUE matt - symbol CUH302

Despite its small size the paper towel roll dispenser holds a large 250 meter long towel roll. When cut every 24 cm more than 1000 towel sheets are produced from a single roll! Simply insert the roll and forget about refilling for a long time. The reliable and effective cutting mechanism is extremely simple in its construction ensuring smooth and gentle functioning. The cutting knife is made of very hard plastic which is resistant to blunting and deformation. Our tests have proven that even after 2 million cuts the knife lost none of its properties. The dispenser is made of high quality ABS plastic. The back and sides of the device are made of transparent plastic providing easy control of the refill levels all the times.

[CLICK FOR MOVIE](#)
[BIM OBJECTS for ARCHITECTS](#)



MERIDA UNIQUE SPARK high gloss - symbol BUH251 MERIDA UNIQUE matt - symbol BUH201

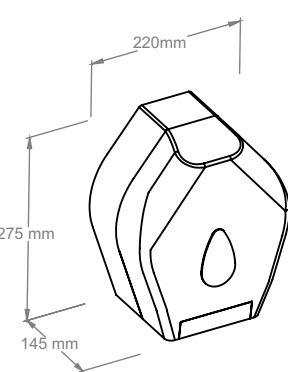


TOILET TISSUE DISPENSER

Device available in two versions:
 MERIDA UNIQUE SPARK high gloss - symbol BUH251
 MERIDA UNIQUE matt - symbol BUH201

- Made of high quality ABS plastic
- maximum roll diameter - 19 cm
- lockable (locked with a key)

[CLICK FOR MOVIE](#)
[BIM OBJECTS for ARCHITECTS](#)



MERIDA UNIQUE SPARK high gloss - symbol BUH451 MERIDA UNIQUE matt - symbol BUH401



MULTIFLAT TOILET TISSUE DISPENSER

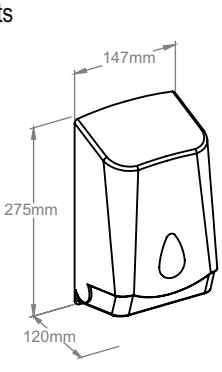
Device available in two versions:
 MERIDA UNIQUE SPARK high gloss - symbol BUH451
 MERIDA UNIQUE matt - symbol BUH401

- Made of high quality ABS plastic
- capacity of up to 400 pcs of tissue sheets
- a compact dispenser of excellent value that is popular for smaller washrooms
- the sturdy design makes it durable and fits perfectly in smaller spaces

Suitable for use with toilet paper in sheets:

- MERIDA OPTIMUM (symbol POB402)
- MERIDA TOP (symbol PTB403)

[CLICK FOR MOVIE](#)
[BIM OBJECTS for ARCHITECTS](#)



MERIDA UNIQUE SPARK high gloss - symbol KUH151 MERIDA UNIQUE matt - symbol KUH101

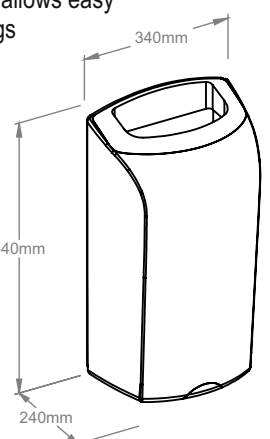


WALL MOUNTED WASTE BIN - 40L

Device available in two versions:
 MERIDA UNIQUE SPARK high gloss - symbol KUH151
 MERIDA UNIQUE matt - symbol KUH101

- Made of high quality ABS plastic.
- capacity: 40 litres
- wall mounted for easy cleaning below and around the unit
- corresponds with 60 liter disposable bags
- the convenient inner frame of the unit allows easy removal and loading of disposable bags

[CLICK FOR MOVIE](#)
[BIM OBJECTS for ARCHITECTS](#)



MERIDA UNIQUE SPARK high gloss - symbol GUH751 MERIDA UNIQUE matt - symbol GUH701



ELECTRONIC AIR FRESHENER

Device available in two versions:
 MERIDA UNIQUE SPARK high gloss - symbol GUH751
 MERIDA UNIQUE matt - symbol GUH701

Highly efficient and fully automatic electronic air freshener with an elegant and slim appearance provides maximum scent effect in rooms with volumes up to 170 m³. Equipped with an electronic programmer that allows the following parameters to be set: current time and day of the week, start time of the device, end time of the device, the interval between the doses of the fragrance (from 1 to 60 minutes), the days when the device is not working. The programming of the air freshener, information is displayed as to the amount of days one refill last. The air freshener, which is locked by a key, is powered by two R14 batteries and made of high quality durable ABS plastic. This device can be used in any room. A selection of eighteen fantastic scents of the highest quality are available in our offer.

[CLICK FOR MOVIE](#)
[BIM OBJECTS for ARCHITECTS](#)

